

MAGNUSON GROUP



QUICK REFERENCE GUIDE

This Quick Reference Guide is an extract of frequently used pages in the Commercial Price List effective July 1, 2011. All page numbers referenced here correspond to the Price List.



NEW PRODUCTS FOR 2011



SOTARE PG.52,53



COOLTIME TABLES PG.84,85



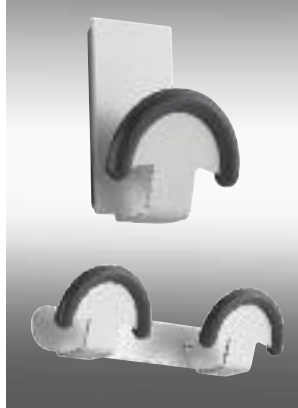
NUDA PG.24



BLOC PG.82,83



BASICS PG.45



MPAM PG.29,32



AXIANE PG.39,46



TREEHOOKED PG.32



SOFT TABLES PG.83



SLOPE PG.54,55



SLOPE JUNIOR PG.54,55



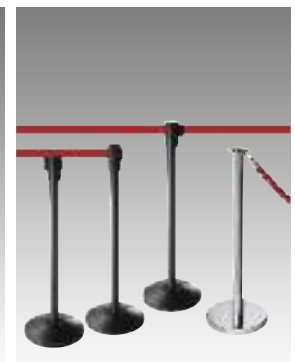
BOX PG.61



TOTRIB PG.44



RUND PG.47



KOA PG.36

DESIGN • FUNCTION • FLEXIBILITY

RECYCLING CAN BE BEAUTIFUL





IT'S VALUTA® *Design Your Recycling...*

Designed by QDesign, VALUTA is a modular family of rectilinear waste & recycling receptacles. Constructed of steel, VALUTA offers 20, 35 and 40-gallon capacity units, each with 3 top options for easy sorting of waste, paper, cans and bottles. VALUTA comes in a variety of powder coat paint colors, and all models include integrated bag arms and an internal rigid liner. VALUTA is also available with locking tops for secure document disposal, and all VALUTA units can be configured with the SOTARE family. Made in the USA.



VALUTA units shown with SOTARE units



IT'S STORLEK™ *Big on Design, Function & Capacity*

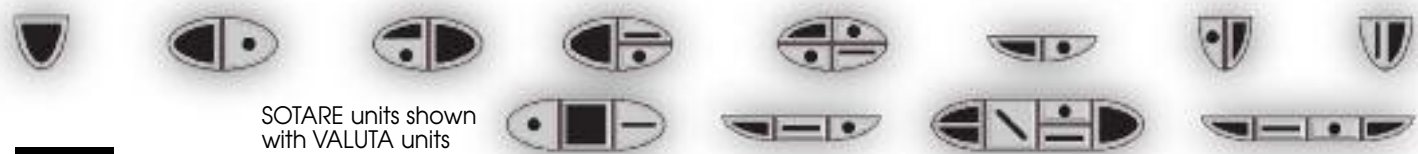
Designed by QDesign, STORLEK is a 70-gallon receptacle that can be used for both waste & recycling. STORLEK is available in 3 models – a standard open top, a cafeteria tray-top for foodservice, and a tent-top for outdoor use. All STORLEK models are made of powder-coated steel and include an internal rigid liner along with a locking, hinged front door for quick and easy bag replacement. STORLEK indoor units are also available with a variety of designer metal side panels. Made in the USA.





IT'S SOTARE™ *Design Your Recycling...*

Designed by QDesign, SOTARE is a modular family of curvilinear waste & recycling receptacles which includes a 34-gallon half-elliptical unit and 2 quarter-elliptical units [right side, left side]. These 3 units combine with 14 available top options to create the ideal client solution in terms of design aesthetic and recycling program requirements while minimizing footprint. SOTARE units are constructed of powder-coated steel, and can stand alone or be grouped together. All SOTARE units can also be configured with all units in the VALUTA family. Made in the USA.



SOTARE units shown with VALUTA units



IT'S SLOPE™ *Clean, Simple, Functional, Flexible*

Constructed of steel, SLOPE is a clean, flexible waste & recycling receptacle. Available in both a 38-gallon unit and a “junior” height 32-gallon unit, SLOPE offers a choice of 3 top openings for easy sorting of waste, paper, cans and bottles. Standard paint finishes for SLOPE’s body & tops include Dark Anthracite and Anodized Silver – plus 4 additional colored tops that include Capri Blue, Fern Green, Copper Brown and Lunar White. All SLOPE units include integrated bag arms, and an optional internal rigid liner. Made in the USA.





BASICS
8 models ranging from 3.6 to 5.5 gallon capacity. Finishes include Stainless & Painted Steel colors. Page 45



BOX
3 models ranging from 7.9 to 24.9 gallon capacity. Finishes include Painted Steel colors. Units can stand alone or be grouped together. Page 61



FENIX
3 models ranging from 2.9 to 13.2 gallon capacity. Finishes include Stainless & Painted Steel colors. All models include a Self-Extinguishing Top Lid. Page 47



VALUTA
3 models ranging from 20 to 40 gallon capacity. Finishes include Painted Steel colors. Units can stand alone or be grouped together. Pages 50,51



HALL
4 models ranging from 3.1 to 6.3 gallon capacity. Finishes include Stainless & Painted Steel colors. Select models include ashtrays. Page 47



SOTARE
3 models ranging from 15 to 34 gallon capacity. Finishes include Painted Steel colors. Units can stand alone or be grouped together. Select models collect two types of disposal. Pages 54,55



RUND
1 model with 14.8 gallon capacity. Finish includes Painted Steel with Polished Chrome. Model includes Flip Top lid. Page 47



PANDORA
5 models ranging from 10.6 to 30 gallon capacity. Finishes include Stainless & Painted Steel colors. Units can stand alone or be grouped together. Select models collect two types of disposal. Page 58



SLOPE
2 models ranging from 32 to 38 gallon capacity. Finishes include Painted Steel colors. Units can stand alone or be grouped together. Pages 54,56



TITAN
4 models with 5 gallon capacity. Finishes include Stainless & Painted Steel colors. Includes Floor-Mounted and Wall-Mounted Units. Page 48



MURALES
2 models with 4.2 gallon capacity. Finishes include Stainless & Painted Steel colors. Floor-Mounted and Wall-Mounted Units. Page 48



ASH
1 model with 17 gallon capacity. Finish includes Stainless & Painted Steel color. Unit is floor mounted. Suitable for outdoor use. Page 62



CICLO
4 models with 31.1 gallon capacity. Finishes include Stainless & Painted Steel colors. Units can stand alone or be grouped together. All models collect two types of disposal. Page 49



BILBAO
3 models ranging from 13.2 to 13.4 gallon capacity. Finishes include Stainless & Painted Steel color. All units are Floor-Mounted. Suitable for outdoor use under cover. Page 59



BASIC-ECO
2 models ranging from 12.7 to 23.9 gallon capacity. Finishes include Stainless & Painted Steel colors. All models collect three types of disposal. Page 48



STORLEK
3 models with 70 gallon capacity. Finishes include Painted Steel colors and designer metal side panels. Select model suitable for outdoor use. Can add Ash-tray accessory for outdoor use. Pages 56,57



PRAT
1 model with 11 gallon capacity. Finish includes Stainless & Painted Steel colors. Includes Ashtray. Page 59



MOAI
1 model with 52.8 gallon capacity. Finish includes Rotomolded Polyethylene body. Suitable for outdoor use. Page 59



DRAC
3 models ranging from 12.7 to 12.9 gallon capacity. Finishes include Stainless & Polyurethane Foam. Select models collect three types of disposal. Page 59



JUPITER
24 models ranging from 23.7 to 59.7 gallon capacity. Finishes include Stainless, Expanded Metal & Transparent Polycarbonate. Selected models collect up to four types of disposal. Suitable for outdoor use. Pages 60,61



BASICS
8 models ranging from 3.6 to 5.5 gallon capacity. Finishes include Stainless & Painted colors. Select models include a Top Sleeve Bag Holder. Page 45



FIL
1 model with 3.6 gallon capacity. Finishes include Faux Leather with Accent Stitching, 1 color. Part of the FIL family of Desktop Accessories. Pages 40,45



LINK
2 models with 3.8 gallon capacity. Finishes include Painted Steel, 3 colors. Select models include a Top Sleeve Bag Holder. Part of the LINK family of Desktop Accessories. Page 43



FENIX
3 models ranging from 2.9 to 13.2 gallon capacity. Finishes include Stainless & Painted Steel colors. All models include a Self-Extinguishing Top Lid. Page 47



AXIANE
2 models ranging from 4.0 to 4.3 gallon capacity. Finishes include Painted Steel, 8 colors. Select models include a Self Extinguishing Top Lid. Part of the AXIANE family of Desktop Accessories. Pages 39,46



T3 Modular Recycling System
4 models ranging from 1.3 to 6.9 gallon capacity. Finishes include Recycled Plastic, Polypropylene & ABS, 3 colors. Colored top lids available to differentiate each bin. Page 44



DIN
3 models ranging from 3.8 to 8.6 gallon capacity. Finishes include Stainless & Painted Steel colors. Part of the DIN and Din-Up families of Desktop Accessories. Pages 41,46,47



TOTRIB
An under-desk support to hold T3 receptacles (above) to enable waste sorting in minimal space without hindrance to floor cleaning. Height-adjustable, pivoting model. Page 44

FREE STANDING & MOBILE COAT RACKS ▶



DESIGNER SERIES

PG. 15



OFFICE RAK

PG. 15



RAP RAK

PG. 15



DS SERIES

PG. 16



TERTIO

PG. 17



MEGA RAK

PG. 17

F.S. RACKS

WALL MOUNTED COAT RACKS



FARGO

PG. 18,19



DS SERIES

PG. 20



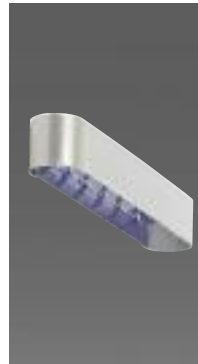
CLM SERIES

PG. 22



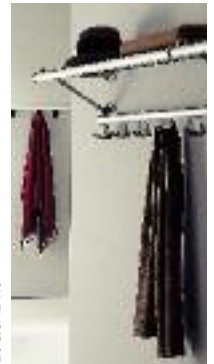
TERTIO

PG. 17,22



CHASE

PG. 22



ESQUADRS

PG. 21

PERSONAL COSTUMERS COAT TREES ▶



PC SERIES

PG. 23



LCT SERIES

PG. 23



M SERIES

PG. 24



JUNO

PG. 23



MAIRS+

PG. 23



EWC SERIES

PG. 23

PERSONAL COSTUMERS (COAT TREES) ▶



COMPLEMENTS 1

PG. 25



COMPLEMENTS 3

PG. 26



COMPLEMENTS 4

PG. 26



COMPLEMENTS 5

PG. 26



MANHATTAN

PG. 26



HANG 2

PG. 26

PERSONAL COSTUMERS (COAT TREES)

PERSONAL COSTUMERS (MOUNTED) ▶



RAMA

PG. 24



TREVOL

PG. 25



FLO

PG. 25



NUDA

PG. 24



HANG 1

PG. 26,32



PC SERIES WALL

PG. 22

PERSONAL COSTUMERS (MOUNTED)

HOOKS ▶



PC SERIES PANEL/DOOR

PG. 29



K SERIES

PG. 30,31



M SERIES MAGNETIC

PG. 29



FLO

PG. 25,31



HH-1

PG. 31



RAMA

PG. 29,32

HOOKS

HOOK PANELS AND STRIPS ▶



FARGO MAGNETIC/RAMA 5

PG. 29,32



MANHATTAN

PG. 26,31



TREEHOOK

PG. 32



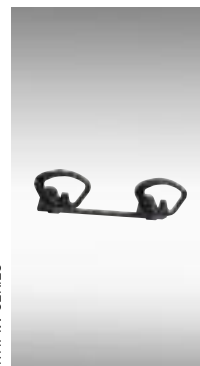
FARGO LINEAR

PG. 21,32



MYW SERIES

PG. 33

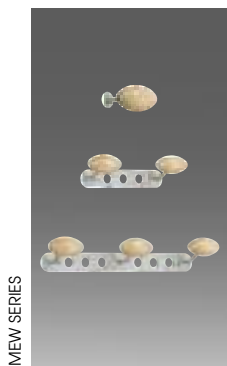


MYAW SERIES

PG. 33

HOOK PANELS AND STRIPS

HANGERS ▶



MEW SERIES

PG. 33



STAINLESS STEEL SERIES

PG. 33



MPAM

PG. 32



MKW SERIES

PG. 33



K SERIES

PG. 30



STEEL

PG. 35

HANGERS

UMBRELLA STANDS >



FLO
PG. 25,35



FARGO
PG. 21



MOLDED POLYSTYRENE
PG. 34



WOOD
PG. 34



MCU
PG. 27



U SERIES
PG. 27

UMBRELLA STANDS >



FARGO
PG. 27



HANG
PG. 26,27



HALL
PG. 28



PRAT
PG. 28



COMPLEMENTS 5
PG. 27



COMPLEMENTS 3
PG. 27

UMBRELLA STANDS

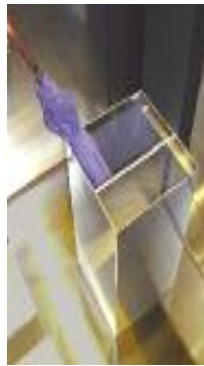
DESKTOP ACCESSORIES/DESK-SIDE WASTE CONTAINERS >



TREVOL
PG. 25,28



RAMA
PG. 24,28



MERCURI
PG. 28



DIN
PG. 41,46,47



DIN-UP
PG. 42



SYSTEMATE
PG. 37,38

DESKTOP ACCESSORIES/DESK-SIDE WASTE CONTAINERS



AXIANE
PG. 39,46



TOTRIB
PG. 44



FIL
PG. 40,45



LINK
PG. 43,46



COMPLEMENTS 5
PG. 45



FENIX
PG. 47



BASICS
PG. 45

FOOT RESTS

SHOWCASES

MOVEABLE SCREENS

MAGAZINE RACKS ▶



RELAX

PG. 35



PICTOR

PG. 64



KP+

PG. 65



1000 SERIES

PG. 66



VOICI

PG. 71



7000 SERIES

PG. 70

MAGAZINE RACKS ▶



SIX PACK

PG. 70



SPRING

PG. 70



ACTA

PG. 71



NEO

PG. 72,73



2400 SERIES/CHART HOLDERS

PG. 69



2000 SERIES/CHART HOLDERS

PG. 67,68

MAGAZINE RACKS

FOLD DOWN DESK

TABLES: OCCASIONAL/COMPUTER/AUXILIARY



3000 SERIES

PG. 69



2301

PG. 69



BLOC

PG. 82,83



SOFT TABLES

PG. 83



COOLTIME TABLES

PG. 84,85



PENCIL

PG. 81

LECTERNS

CROWD CONTROL

VISUAL COMMUNICATION DISPLAYS ▶



ARC

PG. 81



CUA

PG. 36



KOA

PG. 36



ACTA

PG. 74,75,76



CROSSING

PG. 80



NEO

PG. 77,78

VISUAL COMMUNICATION DISPLAYS

COMMERCIAL RECYCLING / WASTE CONTAINERS >



SKYLTA

PG. 69



INDEX

PG. 79



VALUTA

PG. 50,51



SOTARE

PG. 52,53



SLOPE

PG. 54,55



CICLO

PG. 49

COMMERCIAL RECYCLING / WASTE CONTAINERS >



PANDORA

PG. 58



BASIC-ECO

PG. 48



HALL

PG. 47



MURALES

PG. 48



TITAN

PG. 48



PRAT

PG. 59

COMMERCIAL RECYCLING / WASTE CONTAINERS >



DIN 5

PG. 47



BASICS

PG. 45



COMPLEMENTS 5

PG. 45



RUND

PG. 47



FENIX

PG. 47



STORLEK

PG. 56,57

COMMERCIAL RECYCLING / WASTE CONTAINERS



MOAI

PG. 59



ASH

PG. 62



JUPITER

PG. 60,61



BOX

PG. 61



BILBAO

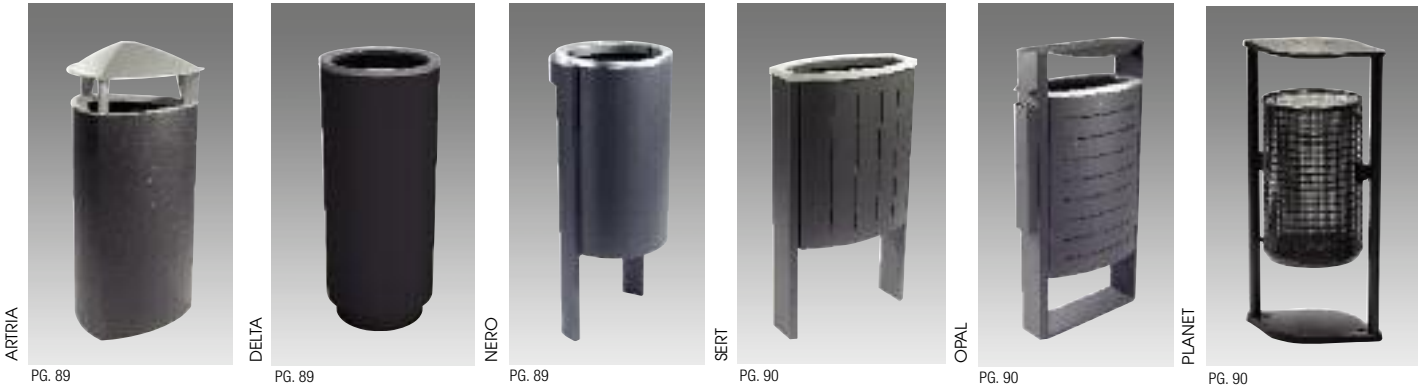
PG. 59



DRAC

PG. 59

OUTDOOR COMMERCIAL WASTE / RECYCLING CONTAINERS



ARTRIA

PG. 89

DELTA

PG. 89

NERO

PG. 89

SERT

PG. 90

OPAL

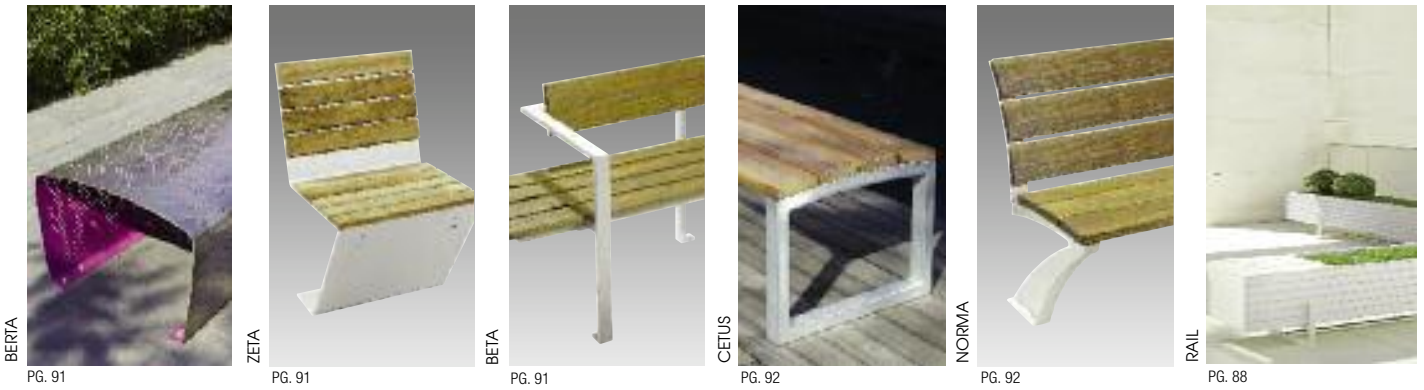
PG. 90

PLANET

PG. 90

OUTDOOR FURNITURE

PLANTERS



BERTA

PG. 91

ZETA

PG. 91

BETA

PG. 91

CETUS

PG. 92

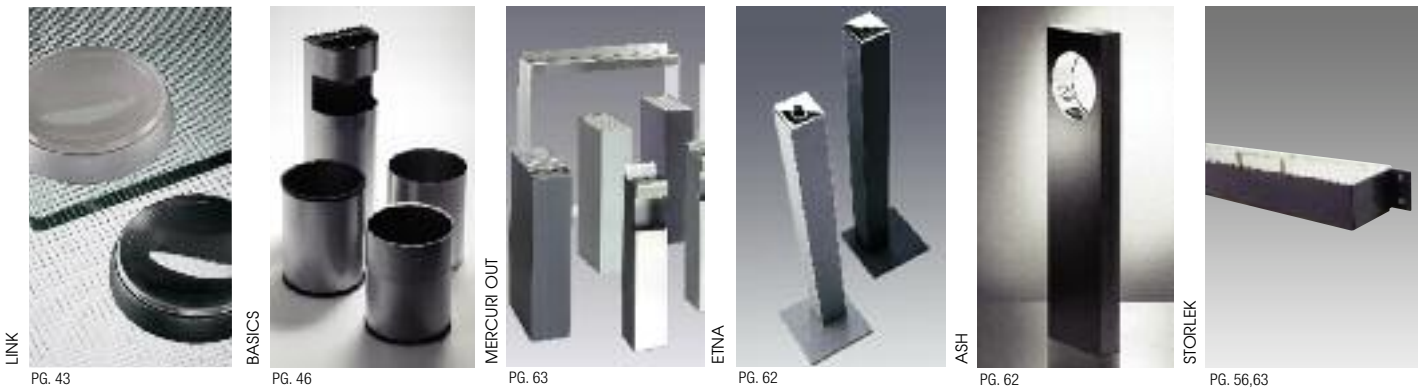
NORMA

PG. 92

RAIL

PG. 88

ASHTRAYS ►



LINK

PG. 43

BASICS

PG. 46

MERCURI OUT

PG. 63

EINA

PG. 62

ASH

PG. 62

STORLEK

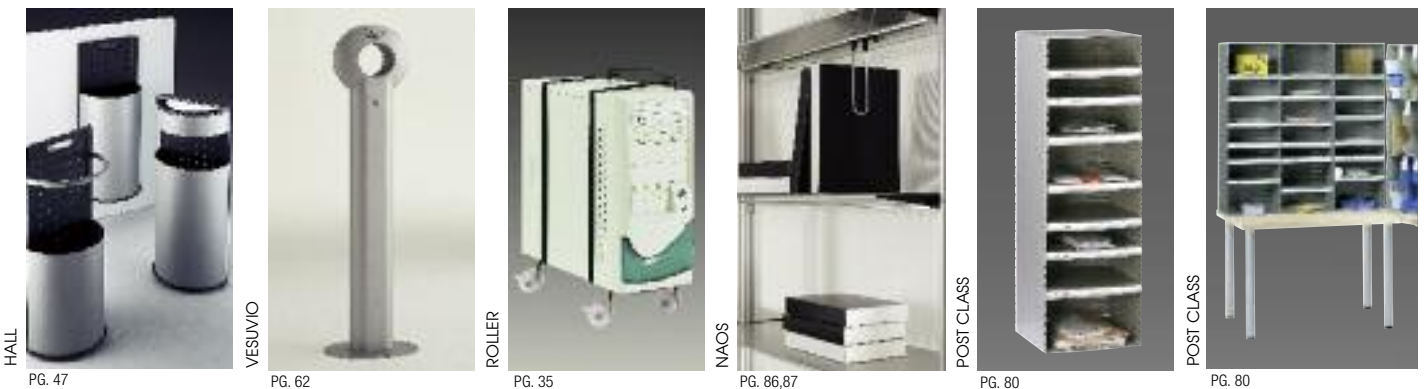
PG. 56,63

ASHTRAYS

CPU CARTS

SHELVING

SORTING MODULES



HALL

PG. 47

VESUVIO

PG. 62

ROLLER

PG. 35

NAOS

PG. 86,87

POST CLASS

PG. 80

POST CLASS

PG. 80



Local Contact